

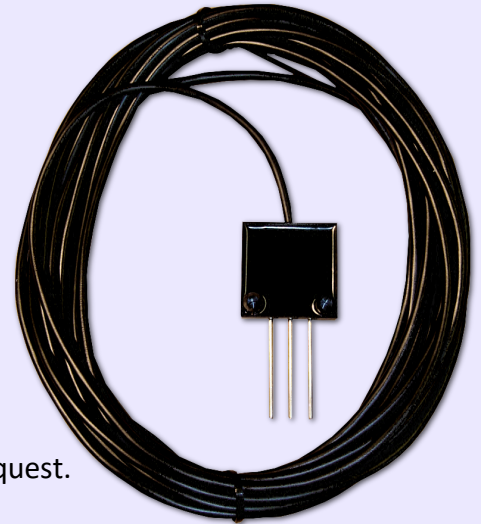
Low Level Probe Pump Control

Low level probe for pump control - can be fixed directly to a pump body (subject to the pump construction), strapped around the body of the pump or attached to a wall or fixture within the sump. It is designed to monitor the slow ingress of water into a sump and automatically start and stop a sump or mop pump. The probes are cut to length to allow individual users requirements.

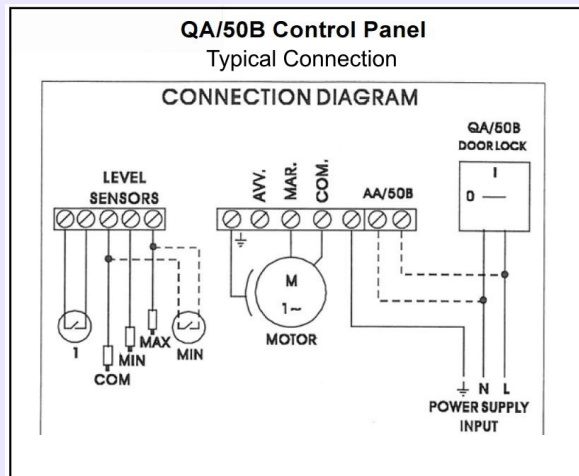
These can be used with any of our range of panels which incorporate a level control probe features such as the QA/50C, QA60 series or with a panel that will accept a level control conductive probe module.

Standard probe length 50mm, longer probe lengths are available on request.

- Standard Cable Length 10m
- Type YY PVC
- Low voltage use only
- For use with level control modules / relays
- Stainless Steel probes
- Standard probe length 50mm



Part number	No of Probes	Cable Length
ES4D-10116P10-N	3	10m



NB: To ensure a fully reliable low-level operation it is important to keep the probe rods free of debris. Anything that will prevent the passes between the conductive probes in the liquid could prevent the pump from starting or stopping at the desired water levels. Always check these periodically.



www.youtube.com/geoquipwater



www.geoquipwatersolutions.com

geoquip water solutions limited
 Unit 7, Sovereign Centre
 Farthing Road Industrial Estate
 Ipswich, IP1 5AP, ENGLAND
TEL: + 44 (0) 1473 462046
FAX: + 44 (0) 1473 462146
email:info@geoquipservices.co.uk