

The Perfect Filter for Professional Installations

Technical Specifications

Just Twist to Clean

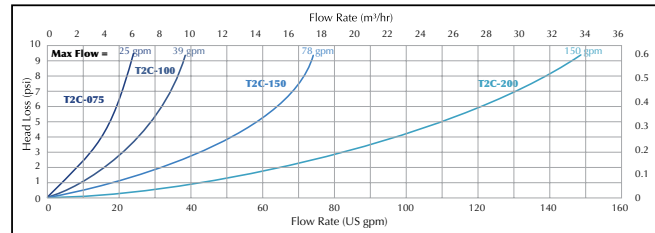
Only the TWIST II CLEAN has:

- No Disassembly Required to Clean
- Less Cleaning with Larger Screen Mesh Area
- Durable Stainless-Steel Screens for Longer Life
- UV-Resistant, Glass-Filled Polypropylene
- Color-Coded Screen Mesh for Easy Identification
- Element Completely Cleaned in 20 Seconds
- Robust Design for Outdoor or Indoor Installations
- One Year Guarantee

is commonly used in

- Residential Water Wells
- Landscape Irrigation
- Whole-House Protection
- Pre-Filters Water Treatment
- Any Pressurized Water System

Model	Max Flow Rate		Inlet/Outlet Size	Effective Screen Surface Area		Screen Flush Size
	U.S. gpm	m ³ /hr		in ²	cm ²	
T2C-075	25	5.5	¾"	12.02	77.5	½"
T2C-100	39	8.91	1"	12.02	77.5	¾"
T2C-150	78	17.71	1½"	24.79	159.9	¾"
T2C-200	150	34	2" flanged	55.5	358.1	¾"



Dimensions								
Model	Height		Width		Weight		Weight with Water	
	in.	mm	in.	mm	lbs	kg	lbs	kg
T2C-075	11-7/8	301	6	152	2	.91	3	1.36
T2C-100	11-7/8	301	6	152	2	.91	3	1.36
T2C-150	15-1/4	387	7-1/2	191	6	2.72	9	4.08
T2C-200	25-15/16	634	10-1/4	260	11	4.99	19	8.62

Materials of Construction

- Body: Glass-filled Polypropylene
- Clear Bowl: Acrylic
- Seals: EPDM; Flush Port O-ring is Viton
- SunShield: Neoprene

Mesh Sizes Available

- Brown - 30 mesh (600 microns)
- White - 60 mesh (250 microns)
- Gray - 100 mesh (150 microns)
- Black - 140 mesh (105 microns)
- Blue - 200 mesh (74 microns)

- Maximum operating pressure 100 psi (6.9 bar)
- Maximum operating pressure 120°F (49°C)



Nominated for Best Product of the Year at World Ag Expo



www.geoquipwatersolutions.com



Exclusive Reverse-Flush Technology

No Messy Disassembly

Less Cleaning & Particle Build Up

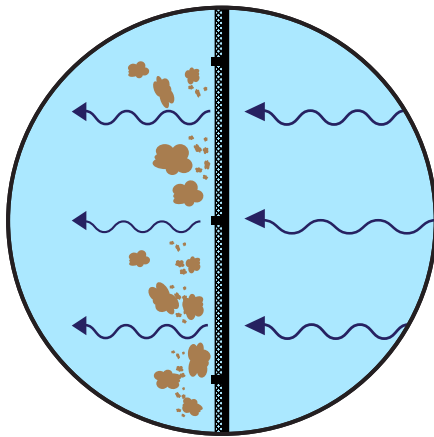


For Sand, Sediment, Scale, and Light Organics

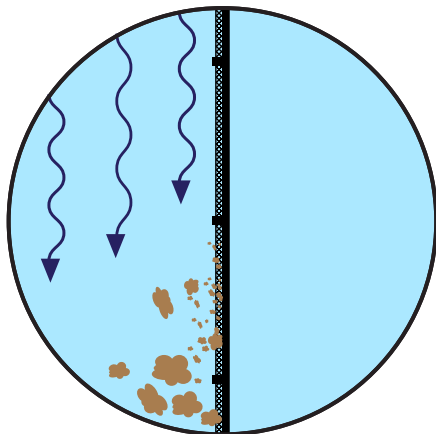
The TWISTII CLEAN Water Filter

only requires a quarter-turn of the handle to engage the patented reverse-flush technology that reverses the flow of water to push all the dirt off and out of the filter.

Only TwistII Clean filters use reverse-flush action to **completely clean the screen.**



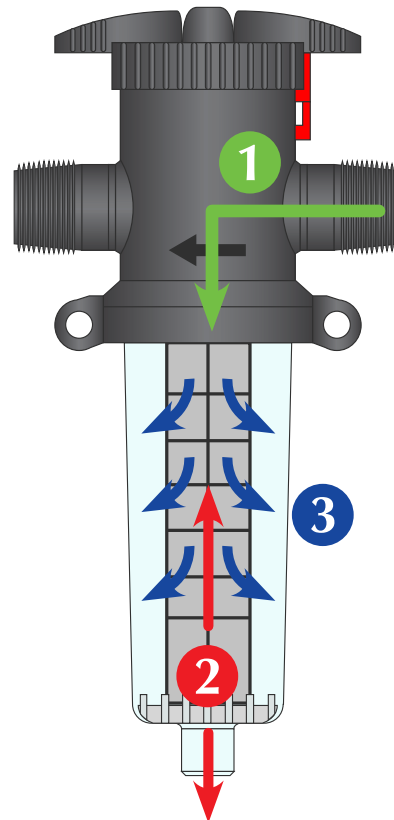
VS.



Traditional screens use ineffective wash-by action, leaving sediment trapped in the screen.

Patented Reverse-Flush Action WITH 1/4 TURN OF THE HANDLE:

1. Flow direction through the filter element is changed to inside-out.
2. The filter element is lifted to open the bottom flush port.
3. An inside-out backwash occurs, and the filter element is thoroughly cleaned.



Messy Disassembly



Disassembling a filter is a dirty and wet process and it also introduces air into the system. The reverse-flush action means there is no need to take the filter apart to scrub the mesh – simply twist and clean!

Particle Buildup

Traditional filters that use a “rinse” action, leave lingering particles in the filter. The TwistII Clean fully cleans with each flush which means less build up that you’ll have to clean out.



Broken Components



Frequently disassembling the filter means risking broken parts which leads to leaks and may require replacing the unit. The TwistII Clean flushes and cleans the element without having to take anything apart.