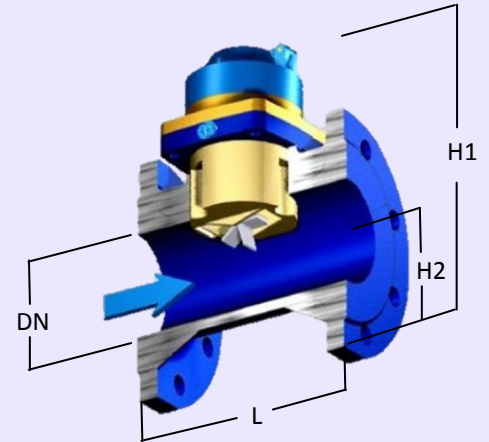


Irrigation Water Meter

DESCRIPTION

The Irrigation Water Meter has a cast iron body with a paddle wheel design that makes it suitable for borehole, irrigation and dirty water applications. It can be installed horizontally or vertically and the design allows debris up to 30% to pass through the meter without causing damage.

It has working pressure up to 16bar, can be used in cold water up to 50°C and is available in 2" and 6" sizes.



TECHNICAL CHARACTERISTICS

- Irrigation water with up to 30 impurities; i.e. mould, seaweed etc.
- Cold water up to 50°C
- Can be installed in any position horizontal, vertical or inclined
- Measuring accuracy corresponding to Class A
- Nominal pressure 16bar

SPECIFICATIONS, DIMENSIONS & WEIGHTS

		50mm 2" Model	65mm 2½" Model	80mm 3" Model	100mm 4" Model	125mm 5" Model	150mm 6" Model
Nominal flow	Qn (m³/h)	30	50	90	125	175	250
Overall length	L (mm)	200	200	225	250	250	300
Max flow (short term)	Qmax (m³/h)	100	120	150	300	350	500
Max flow (constant)	(m³/h)	70	120	120	300	300	500
Transitional flow	Qt (m³/h)	6	12	12	30	30	50
Minimum flow	Qmin (m³/h)	2,4	4,8	4,8	12	12	20
Height	H1 (mm)	230	240	250	260	275	305
	H2 (mm)	75	85	95	105	120	135
Flange diameter	D (mm)	165	185	200	220	250	285
Weight	Kg	11	12	14	18	22	27